

WESTERLY Konsort

SAIL AREAS

Mainsail	180 sq. ft.	16.72 sq. m.
No. 1 Genoa	333 sq. ft.	30.94 sq. m.
No. 2 Genoa	257 sq. ft.	23.88 sq. m.
No. 1 Jib	168 sq. ft.	15.61 sq. m.
No. 2 Jib	120 sq. ft.	11.15 sq. m.
No. 3 Jib	68 sq. ft.	6.32 sq. m.
Spinnaker	753 sq. ft.	69.96 sq. m.

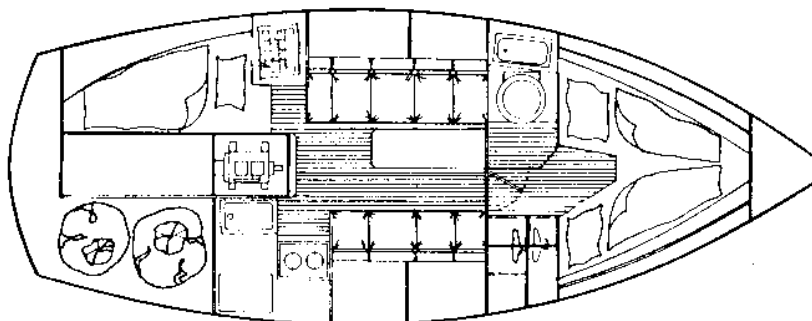
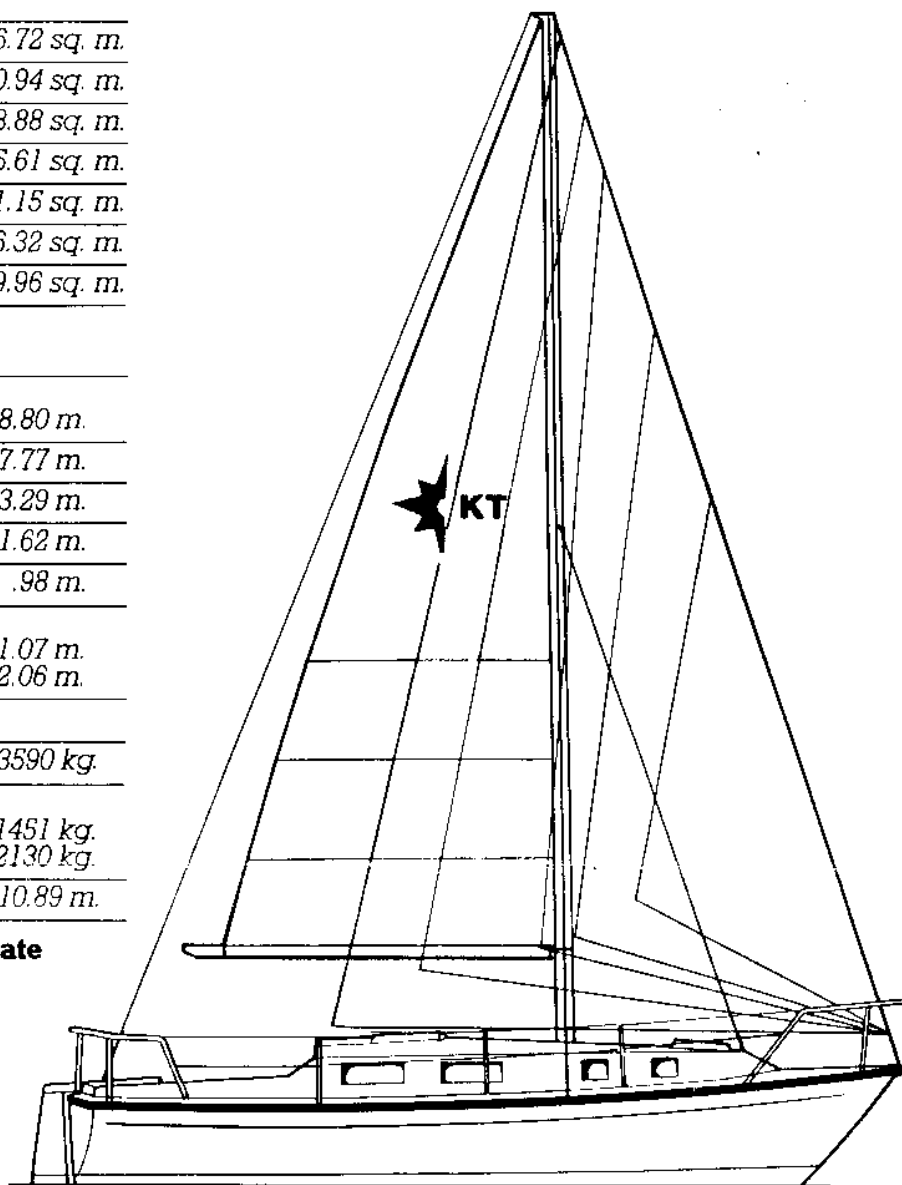
SPECIFICATION

Length overall (excluding rudder)	28' 10"	8.80 m.
Length waterline	25' 6"	7.77 m.
Beam	10' 9"	3.29 m.
Draft - Fin Keel	5' 4"	1.62 m.
Draft - Twin Keels	3' 2½"	.98 m.
Draft - Lifting Keel plate up	3' 6"	1.07 m.
plate down	6' 9"	2.06 m.

DESIGNED WEIGHTS

Displacement	7900 lbs.	3590 kg.
Ballast -		
Fin & Twin Keels	3200 lbs.	1451 kg.
Lifting Keel	4695 lbs.	2130 kg.
Mast length	35' 9"	10.89 m.

Lloyds Hull Construction Certificate



0705
256406

Westerly Yachts Limited,

47 Aston Road, Waterlooville, Portsmouth, Hampshire PO7 7XJ
Telephone: Waterlooville (07014) 54511 Telex: 86328

The boat as described, to specification and standard inventory are liable to change according to availability of bought in and manufactured supplies. Some items shown in the photographs are not included in the standard price.

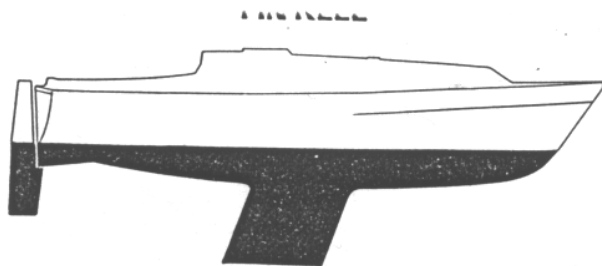
Produced and designed by Centurion Advertising & Design Limited, Southampton, England



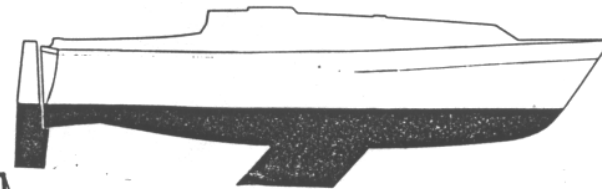
A subsidiary of
Centreway Industries plc

WESTERLY KONSORT

Konsort, designed by Laurent Giles and Partners, was introduced into the Westerly range to fill the gap between the 26 foot Centaur and our 31 footers. She has done just this and proved to be extremely popular right from the outset. Designed very much with the cruising yachtsman in mind, the emphasis is on performance combined with comfortable, spacious accommodation, ease of handling and robustness of construction. Konsort is a big yacht for her length with clean modern lines and a sailing performance good enough to please the really experienced helmsman.

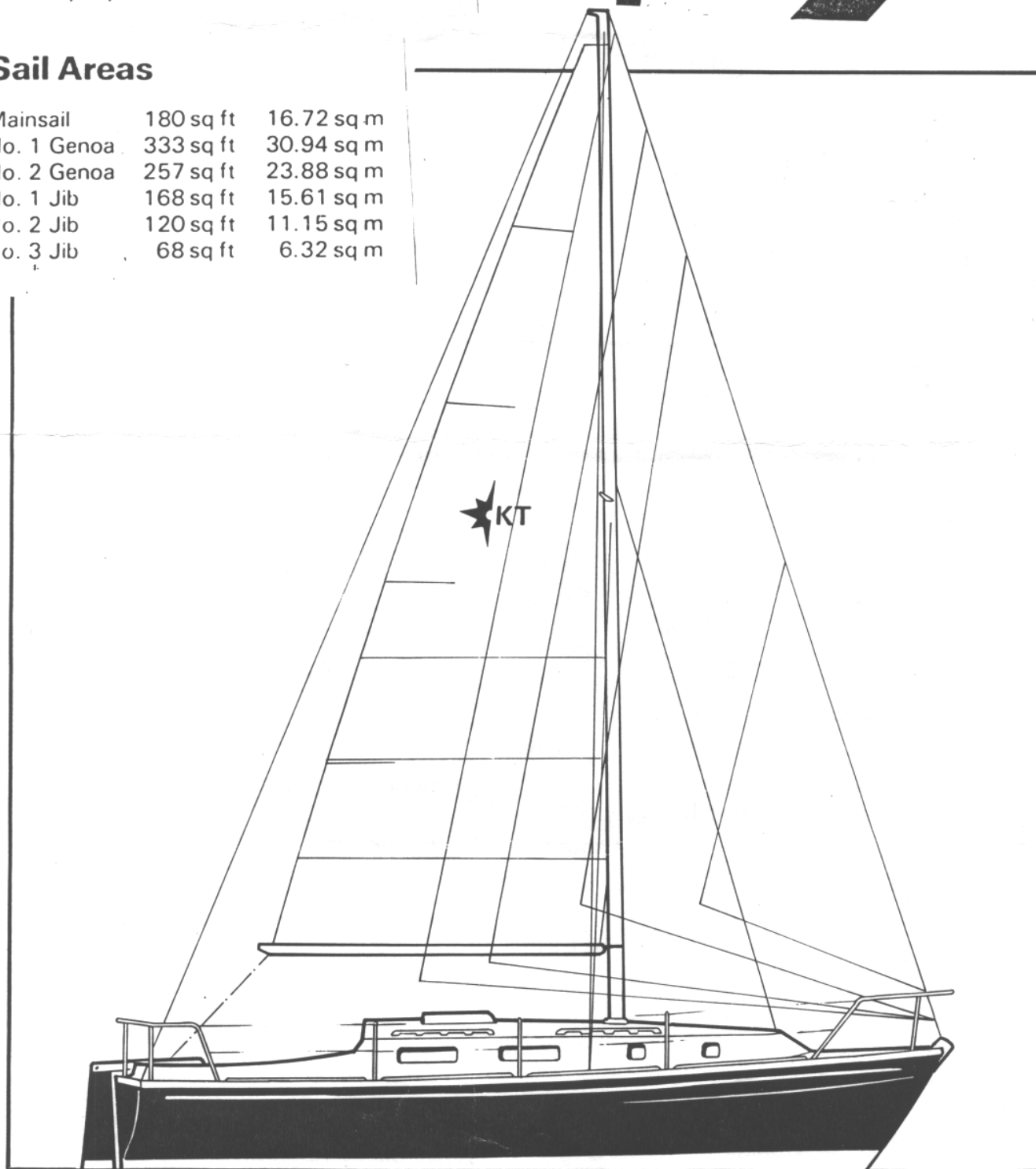


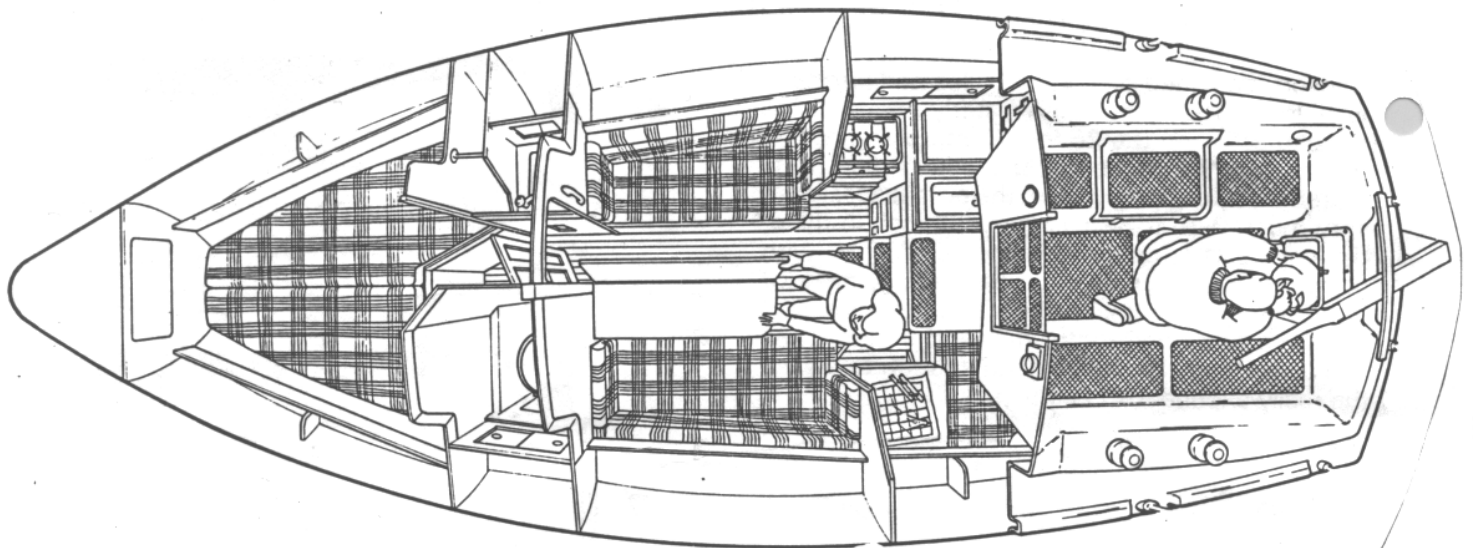
TWIN KEEL



Sail Areas

Mainsail	180 sq ft	16.72 sq m
No. 1 Genoa	333 sq ft	30.94 sq m
No. 2 Genoa	257 sq ft	23.88 sq m
No. 1 Jib	168 sq ft	15.61 sq m
No. 2 Jib	120 sq ft	11.15 sq m
No. 3 Jib	68 sq ft	6.32 sq m





KONSORT SPECIFICATION (1979)

Length overall (excluding rudder)	28' 10"	8.80 m
Length waterline	25' 6"	7.77 m
Beam (including gunwhale rubbers)	10' 9"	3.29 m
Draft – Fin Keel	5' 4"	1.62 m
Draft – Twin Keels	3' 2½"	.98 m
Displacement	7900 lbs	3590 kg
Ballast weight	3200 lbs	1451 kg
Thames measurement	10.83 tons	

Standing rigging 1 × 19 stainless steel, 6 mm.

Running rigging Halyards, lifts and sheets
pre-stretched Terylene.

Jib sheet winches Top action, single speed.

Spars Anodised aluminium alloy
with slab reefing.

Mast length 35' 9" 10.89 m

**Seacocks &
skin fittings** Bronze.

Deck fittings Stainless steel or aluminium
alloy, through bolted.

Steering Tiller.

Rudder Transom hung with
stainless steel fittings.

Woodwork All deck fittings teak.
Cabin construction mahogany
and sapele.

Engine Bukh DV20ME 20 hp Diesel
Two bladed propeller.
Flexibly mounted.
Alternator.
Water cooled exhaust.
Reverse gear and electric start.

Battery 48 amp hr at 12 volts.

Water tank 30 gallons.

Fuel tank 15 gallons.

Lloyds Register Certificate

The specification, standard inventory and furnishings are liable to change. Boats are supplied according to the specification on the Price List at the time of ordering. Some items shown in the photographs are not included in the standard price.